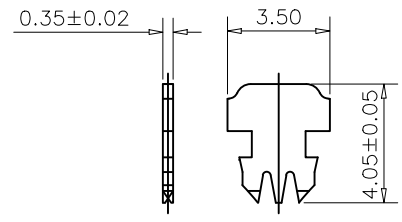
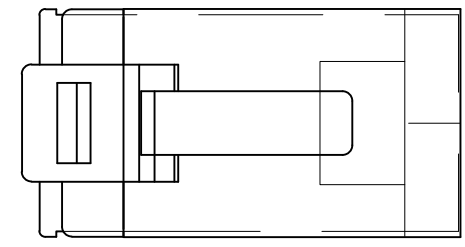
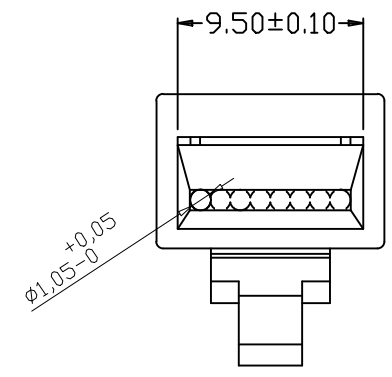
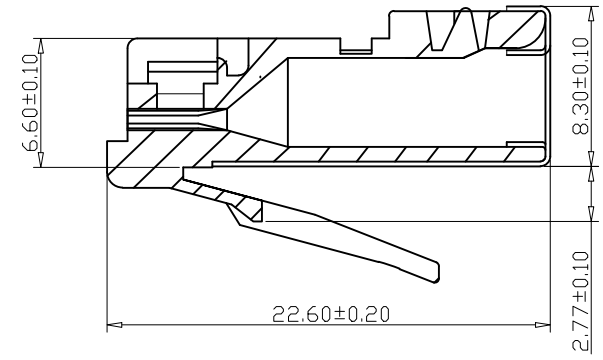
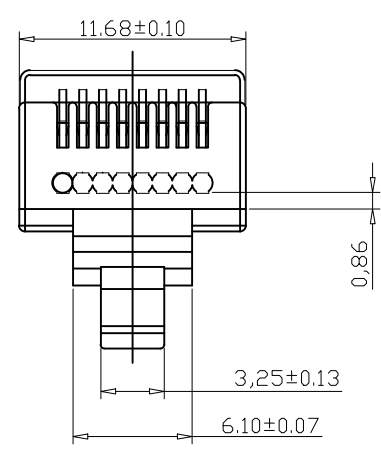
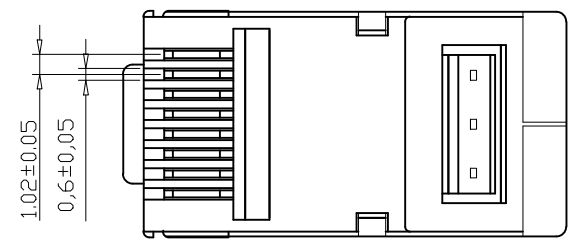


1 2 3 4 5 6 7 8 9 10 11 12

| NO. | DATE | REVISION | REVISER | VERSION |
|-----|------|----------|---------|---------|
| | | | | |



NOTES UNLESS OTHERWISE SPECIFIED

- 1. MATERIAL OF HOUSING: PC 94-V2
- 2. MATERIAL OF CONTACT: BRASS C2680
- 3. MATERIAL OF SHIELD: SPCC OR C2680 NICKEL PLATING
- 4. ELECTRICAL TEST:
 Dielectric withstanding volts: 500AC
 Insulation Resistance: 500mega ohms
 Termination Resistance: 35milliohms max

| | | | | | | |
|----------|-----------|----------|-------------|--------|------------------------|-------------------|
| APPROVED | J.S.Zhong | PC | EZ CAT6 FTP | m/m | | |
| CHECKED | | MATERIAL | NAME | UNIT | | |
| DRAWN | | DWG NO. | PART NO. | WEIGHT | THIRD ANGLE PROJECTION | GENERAL TOLERANCE |
| DESIGNED | Y.Cheng | TP | Molding | 1:1 | | A/O |
| | | COLOR | MANUFACTURE | SCALE | SURFACE ROUGHNESS | VERSION |

1 2 3 4 5 6 7 8 9 10 11 12