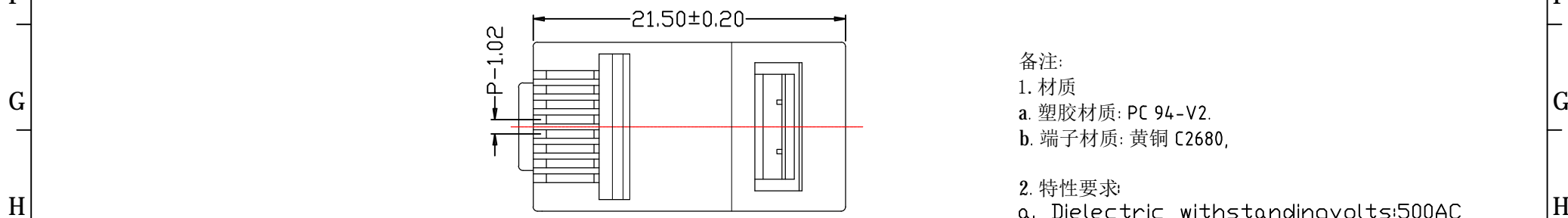
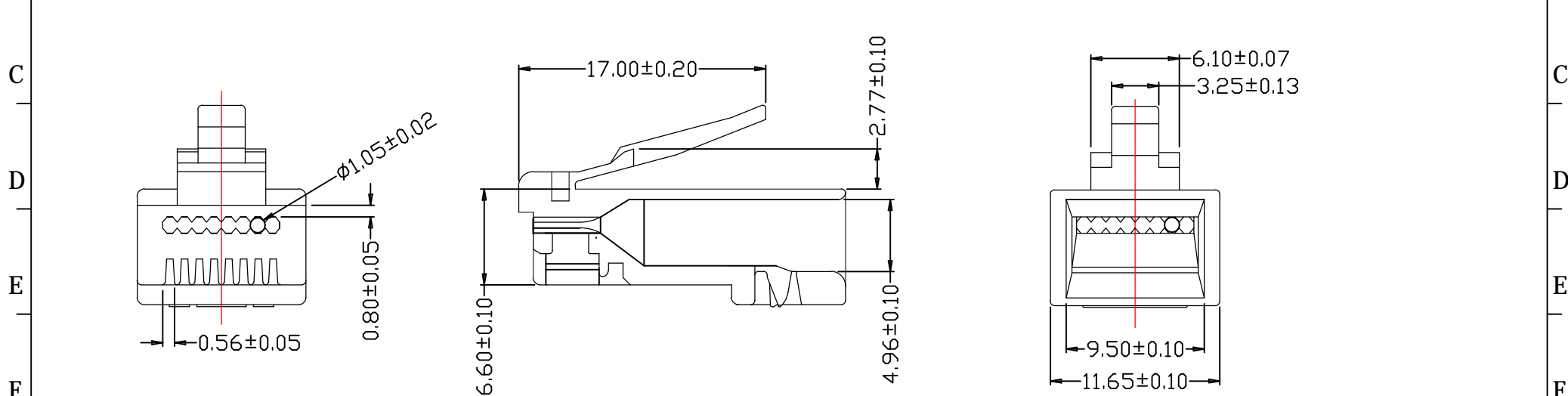
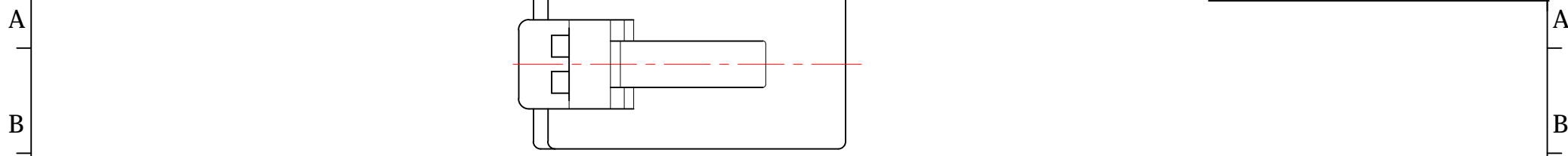
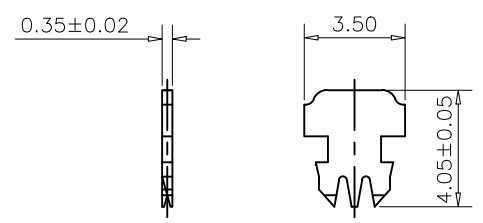


1 2 3 4 5 6 7 8 9 10 11 12

NO.	DATE	REVISION	REVISER	VERSION



备注:
 1. 材质
 a. 塑胶材质: PC 94-V2.
 b. 端子材质: 黄铜 C2680,
 2. 特性要求:
 a. Dielectric withstanding volts: 500AC
 b. Insulation Resistance: 500mega ohms
 c. Termination Resistance: 35milliohms max



APPROVED		PC	EZ CAT6	m/m		
CHECKED		MATERIAL	NAME	UNIT		±0.1
DRAWN		DWG NO.	PART NO.	WEIGHT	THIRD ANGLE PROJECTION	GENERAL TOLERANCE
DESIGNED		透明	射出成型	1:1		A/O
		COLOR	MANUFACTURE	SCALE	SURFACE ROUGHNESS	VERSION

1 2 3 4 5 6 7 8 9 10 11 12

A
B
C
D
E
F
G
H
I
J

A
B
C
D
E
F
G
H
I
J