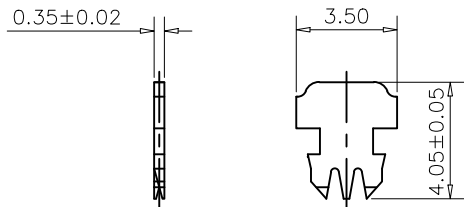
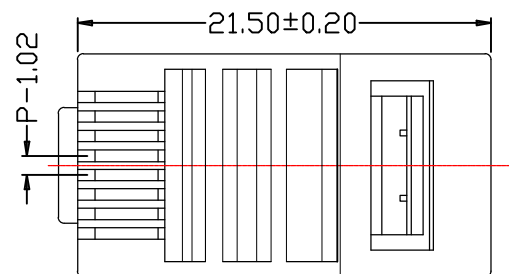
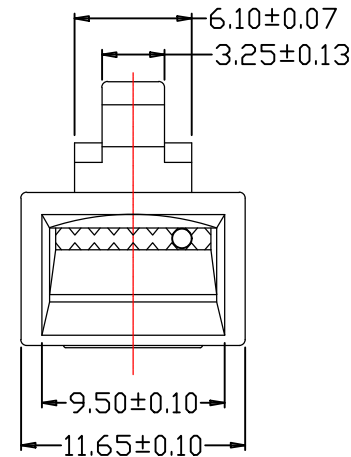
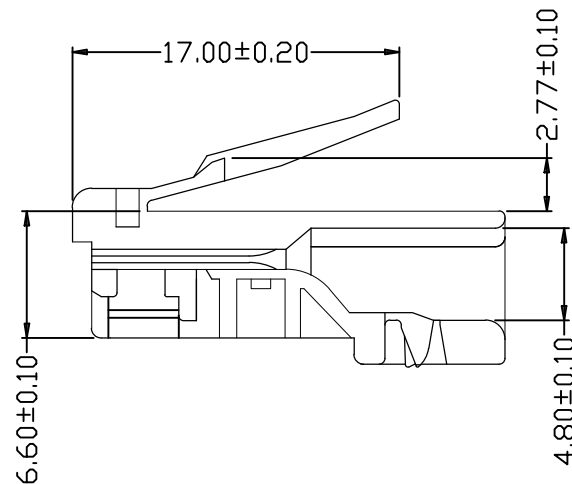
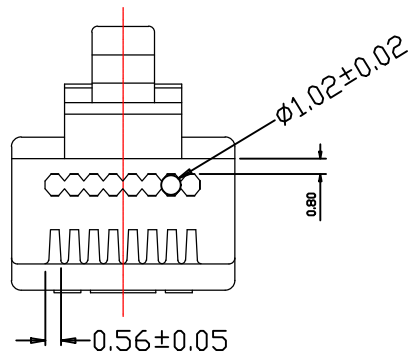
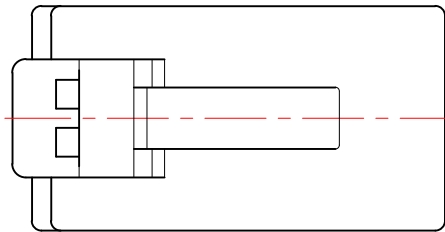


1 2 3 4 5 6 7 8 9 10 11 12

NO.	DATE	REVISION	REVISER	VERSION

A  
B  
C  
D  
E  
F  
G  
H  
I  
J

A  
B  
C  
D  
E  
F  
G  
H  
I  
J



备注:

- 1. 材质
- a. 塑胶材质: PC 94-V2.
- b. 端子材质: 黄铜 C2680,

2. 特性要求:

- a. Dielectric withstanding volts:500AC
- b. Insulation Resistance:500mega ohms
- c. Termination Resistance:35milliohms max

APPROVED	J.S.Zhong	PC	EZ CAT 5E	m/m		
CHECKED		MATERIAL	NAME	UNIT		
DRAWN		DWG NO.	PART NO.	WEIGHT		±0.1
DESIGNED	Y.Cheng	透明	射出成型	1:1		GENERAL TOLERANCE
		COLOR	MANUFACTURE	SCALE	SURFACE ROUGHNESS	VERSION

1 2 3 4 5 6 7 8 9 10 11 12