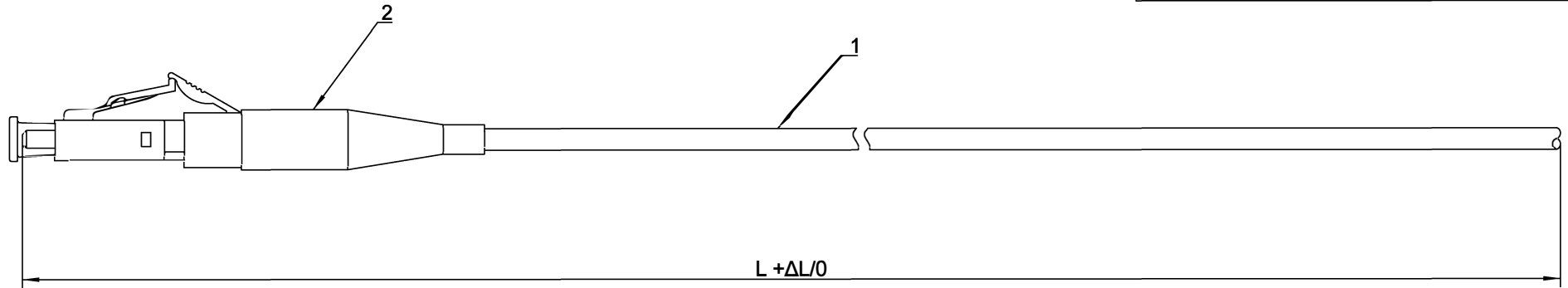


NOTE:ALL MATERIAL COMPLIANT ROHS STANDARD

REVISION INFORMATION

Rev.	Rev. Date	Modified By	Brief Description



Tolerances(ΔL):

$0 < L \leq 10m$	$0 \leq \Delta L \leq +10cm$
$L > 10m$	$0 \leq \Delta L \leq 1\% * L$

Specifications:

Type	LC Pigtail
Test Wavelength(nm)	1310/1550
Insertion loss(dB)	$\leq 0.3$
Return loss(dB)	$\geq 60$
Operating Temperature(°C)	-25~+70
Storage Temperature(°C)	-25~+70

NO.	PART NAME	SPECIFICATION DESCRIPTION	QTY	UNIT
2	Connector	LC 0.9mm,APC,Green Housing and Boot,With white dust cap	1	PCS
1	Fiber Cable	Tight Buffer 0.9mm G652D LSZH, White	L+Δ L	M



APPROVED BY & DATE: James Yang 09/10/2024	Product Name: LC Pigtail				
CHECKED BY & DATE:	DESCRIPTION: LC/APC 0.9mm G652D LSZH Pigtail				
DESIGNED BY & DATE:	DATE: 2024/09/10	REV: D1	UNIT: MM	SHEET: 1 OF 1	SCALE: 1:1

